

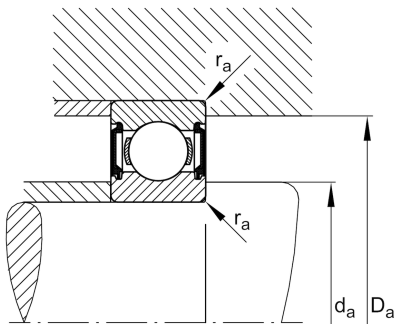
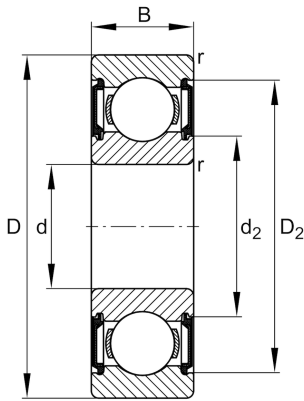
FAG

**6201-C-2BRS**

Deep groove ball bearing

Schaeffler ID:  
0617944060000Deep groove ball bearing 62...-C-2BRS,  
single row, Generation C, shields, steel  
sheet metal cage

## Technical information

**Main Dimensions & Performance Data**

d	12 mm	Bore diameter
D	32 mm	Outside diameter
B	10 mm	Width
$C_r$	8.000 N	Basic dynamic load rating, radial
$C_{0r}$	3.100 N	Basic static load rating, radial
$C_{ur}$	213 N	Fatigue load limit, radial
$n_G$	22.500 1/min	Limiting speed
$n_{gr}$	0 1/min	Reference speed
	0,036 kg	Weight

**Dimensions**

$r_{min}$	0,6 mm	Minimum chamfer dimension
$D_2$	27,9 mm	Caliber diameter outer ring
$d_2$	17,2 mm	Caliber diameter inner ring

**Mounting dimensions**

$d_{a min}$	16,2 mm	Minimum diameter shaft shoulder
$D_{a max}$	27,8 mm	Maximum diameter of housing shoulder
$r_{a max}$	0,6 mm	Maximum fillet radius

**Calculation factors**

$f_0$	12,3	Calculation factor
-------	------	--------------------

**Temperature range**

$T_{min}$	-20 °C	Operating temperature min.
$T_{max}$	110 °C	Operating temperature max.